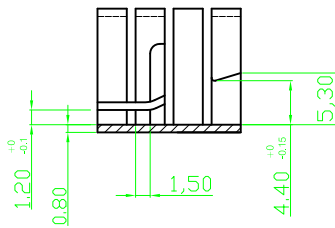
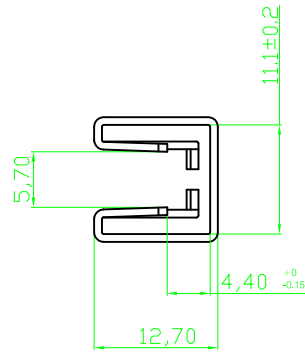
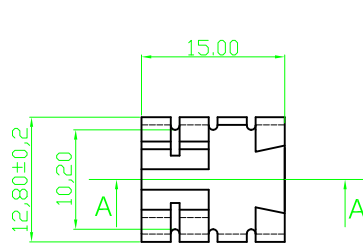
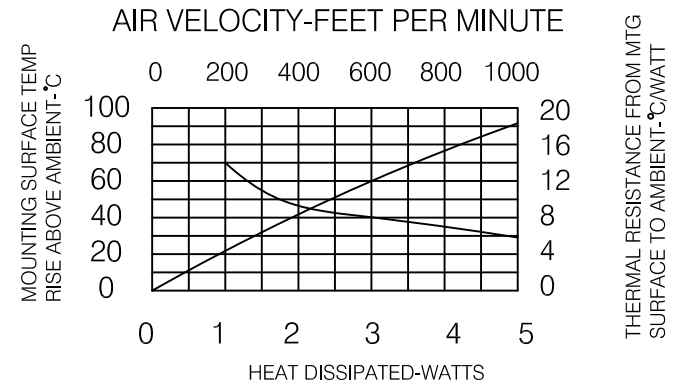


RoHS compliant



SECTION AA



Notes
 Material : AL 5052 T=0.8±0.1 MM
 Finished : Black Anodize

Scale	FREE					Date	Name	Customer-No.
TOLERANCE						Drawn	Hellwig	
UNIT	±0.5					Approved	Andy	
		③	Modify drawing layout	10.03.2010	Alex			ASSMANN WSW-No. V8508G
DIM	TOL	②	Update	11.08.2009	Dean			Drawing-No. ASS 0564 HS
X.°	±X°	①	Drawn	17.08.2004	Hellwig			rev03
X.X°	±X°							
Angle	TOL	Id.	Modification	Date	Name	Replace	Sheet	

1

2

3

4

5

6

7